

Silicon PNP Power Transistors

2SB778

DESCRIPTION

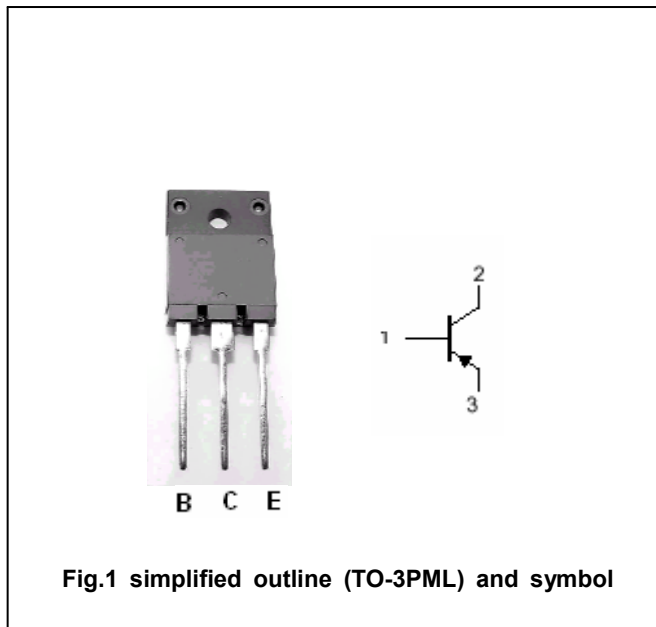
- With TO-3PML package
- Complement to type 2SD998

APPLICATIONS

- High power amplifier applications
- Recommended for 45~50W audio frequency amplifier output stage

PINNING

PIN	DESCRIPTION
1	Base
2	Collector
3	Emitter



Absolute maximum ratings (Ta=25°C)

SYMBOL	PARAMETER	CONDITIONS	MAX	UNIT
V <sub>CBO</sub>	Collector-base voltage	Open emitter	-120	V
V <sub>CEO</sub>	Collector-emitter voltage	Open base	-120	V
V <sub>EBO</sub>	Emitter-base voltage	Open collector	-5	V
I <sub>C</sub>	Collector current		-10	A
I <sub>B</sub>	Base current		-1.0	A
P <sub>C</sub>	Collector power dissipation	T <sub>C</sub> =25°C	80	W
T <sub>j</sub>	Junction temperature		150	°C
T <sub>stg</sub>	Storage temperature		-55~150	°C

## Silicon PNP Power Transistors

## 2SB778

## CHARACTERISTICS

T<sub>j</sub>=25°C unless otherwise specified

SYMBOL	PARAMETER	CONDITIONS	MIN	TYP.	MAX	UNIT
V <sub>(BR)CEO</sub>	Collector-emitter breakdown voltage	I <sub>C</sub> =-50mA ; I <sub>B</sub> =0	-120			V
V <sub>CEsat</sub>	Collector-emitter saturation voltage	I <sub>C</sub> =-5A ; I <sub>B</sub> =-0.5A			-2.5	V
V <sub>BE</sub>	Base-emitter on voltage	I <sub>C</sub> =-5A ; V <sub>CE</sub> =-5V			-1.5	V
I <sub>CBO</sub>	Collector cut-off current	V <sub>CB</sub> =-120V ; I <sub>E</sub> =0			-10	μA
I <sub>EBO</sub>	Emitter cut-off current	V <sub>EB</sub> =-5V ; I <sub>C</sub> =0			-10	μA
h <sub>FE</sub>	DC current gain	I <sub>C</sub> =-1A ; V <sub>CE</sub> =-5V	55		160	
f <sub>T</sub>	Transition frequency	I <sub>C</sub> =-1A ; V <sub>CE</sub> =-5V		10		MHz
C <sub>OB</sub>	Collector output capacitance	I <sub>E</sub> =0 ; f=1MHz ; V <sub>CB</sub> =-10V		280		pF

◆ h<sub>FE</sub> Classifications

R	O
55-110	80-160

Silicon PNP Power Transistors

2SB778

PACKAGE OUTLINE

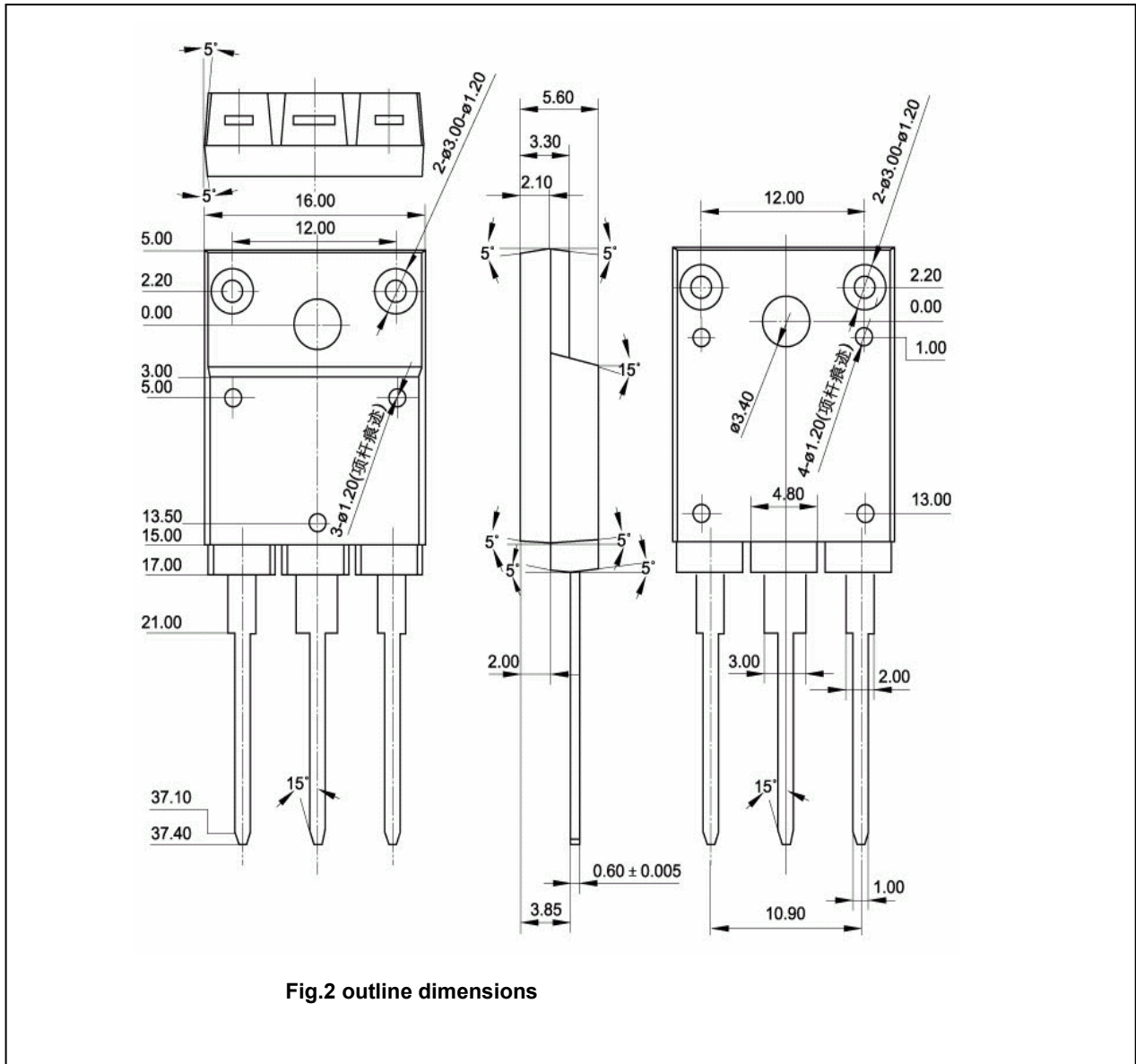


Fig.2 outline dimensions

Silicon PNP Power Transistors

2SB778

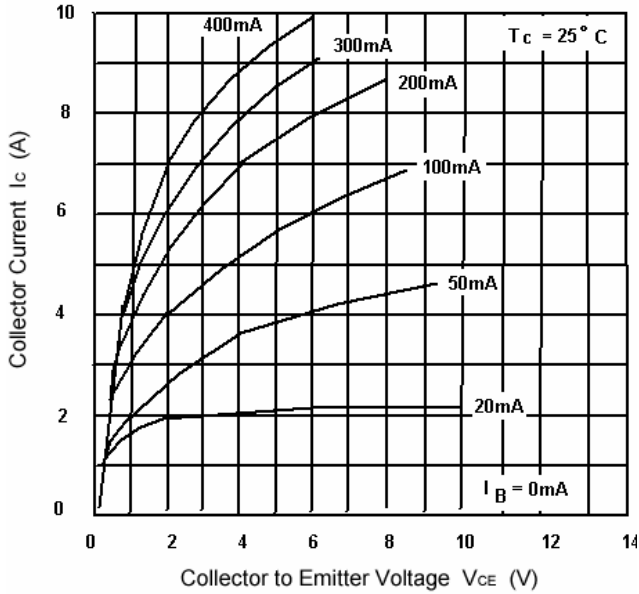


Fig.3 Static Characteristic

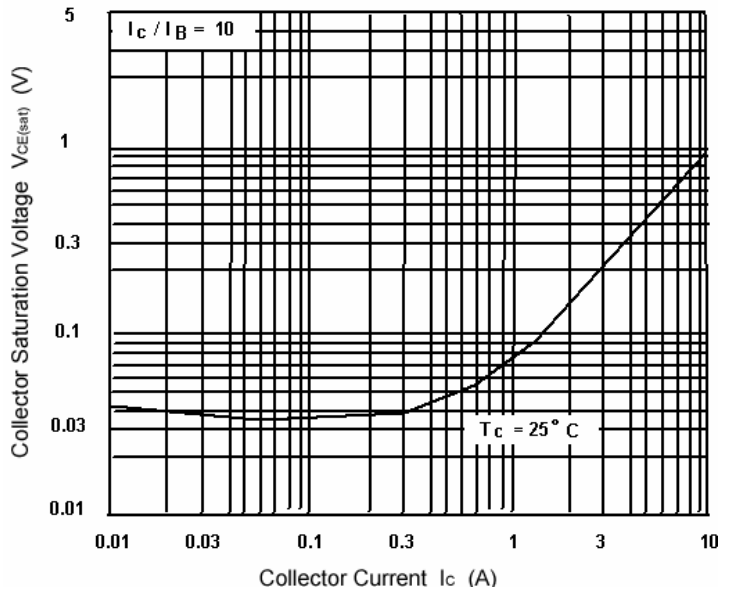


Fig.4 Collector-Emitter Saturation Voltage

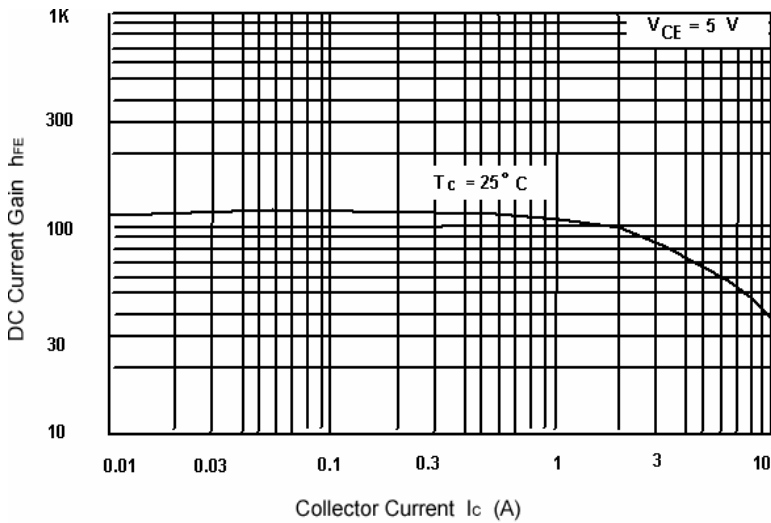


Fig.5 DC current Gain

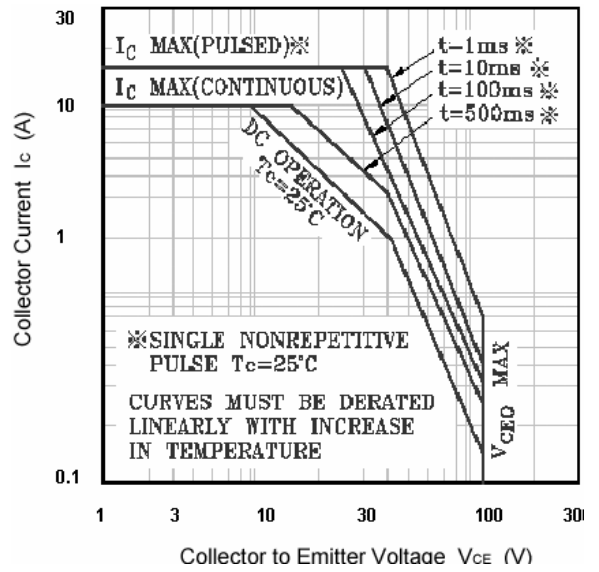


Fig.6 Safe Operating Area